

Water Flow Detector Fig. IM6001

Advantages :

- Designed for both indoor and outdoor use; temperature range 0° C to 68° C.
- Equipped with tamper resistant screws to prevent unauthorized entry.
- Two synchronized switches are enclosed in a durable terminal block. Terminals are easy to read and wire.
- Built-In mechanical time delay feature; minimizing the risk of false alarms due to pressure surges or air trapped in the system.
- The IM6001 offers excellent performance during riser vibrations caused by large in-rushes of water.
- Designed and built for accuracy and repeatability.

Features:

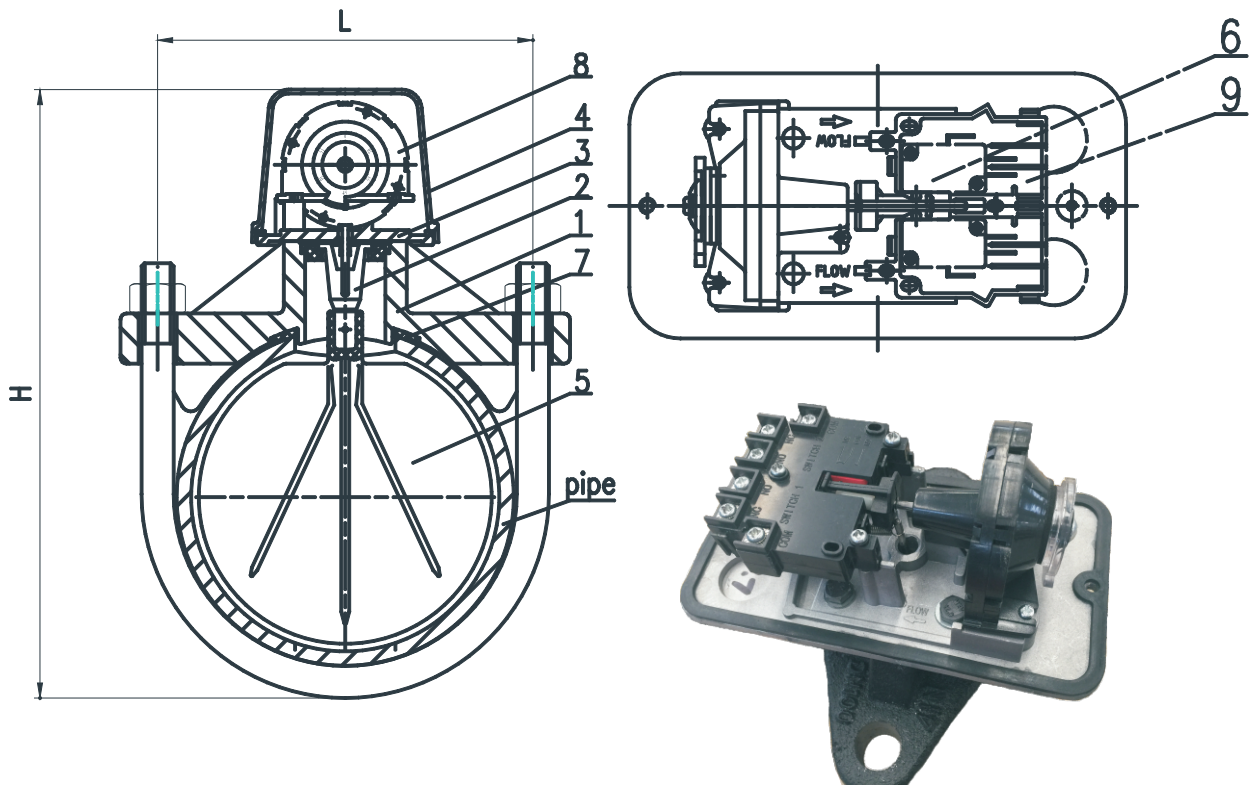
- Flow sensitivity range: 4-10 GPM(15-38LPM).
- Contact rating: 8A@250VAC,
3A@24VDC,
2.5A@30VDC.
- Working Pressure: 450PSI.
- Working Temperature: 0°C to 68°C.
- Corrosion Protection: Fusion Bonded Epoxy Coated Interior and Exterior or Enamel Spray Paint, Interior and Exterior.
- UL Listed.
- FM Approved.
- GOST Certification.



The designs, materials and specifications shown are subject to change without notice due to the continuous development of our products.



Schematic



Material Specifications

No.	Part Name	Material
1	Saddle	DI, A536 65-45-12
2	Holder	SS304+EPDM
3	Plate	Aluminium Alloy
4	Cover	Aluminium Alloy
5	Paddle	Plastic
6	Microswitch	Plastic
7	Gasket	EPDM
8	Retarding device	Plastic
9	Terminal Box	Plastic

Dimensions (mm)

Size	DN50	DN65	DN80	DN100	DN125	DN150	DN200
L	84	92	104	133	160	187	239
H	190	200	220	245	270	300	350
Nominal Pipe Size OD.	60.3	73	88.9	114.3	141.3	168.3	219.1
Pipe Wall Thickness	2.77-3.91	3.05-5.16	3.05-5.49	3.05-6.02	3.40-6.55	3.40-7.11	3.76-8.18

The designs, materials and specifications shown are subject to change without notice due to the continuous development of our products.



Certificate of Compliance

This certificate is issued for the following:

Vane-Type Waterflow Alarm Indicators

**MODELS: IM6001-50, IM6001-65, IM6001-80, IM6001-100
IM6001-125, IM6001-150, IM6001-200**

Prepared for:

**Shanghai Iron Man Fire Fighting Equipment Co., Ltd.
Room 716, 7F, No.100, Xiuyan Road
Shanghai 201315, P. R. China**

FM Approvals Class: 1042

Approval Identification: 3059619 Approval Granted: August 15, 2016

To verify the availability of the Approved product, please refer to www.approvalguide.com

Said Approval is subject to satisfactory field performance, continuing Surveillance Audits, and strict conformity to the constructions as shown in the Approval Guide, an online resource of FM Approvals.

A handwritten signature in black ink that reads 'D.B. Fuller'.

David B. Fuller
AVP, Manager – Fire Protection
FM Approvals
1151 Boston-Providence Turnpike
Norwood, Massachusetts 02062 USA



Member of the FM Global Group

USQT.S35811 Extinguishing System Attachments

[Page Bottom](#)

Extinguishing System Attachments

[See General Information for Extinguishing System Attachments](#)

SHANGHAI IRON MAN FIRE FIGHTING EQUIPMENT CO.,LTD.

S35811

Room 2343, Block 3, No.612, Shangchuang Road

Pudong New Area

201315 Shanghai, CHINA

SPRINKLER SYSTEM ALARM INITIATING DEVICES

Wet pipe, paddle type

Model	Size In.	Pipe Schedule	Max System Pressure psig
IM6001-50	2	10 thru 40	450
IM6001-65	2.5	10 thru 40	450
IM6001-80	3	10 thru 40	450
IM6001-100	4	10 thru 40	450
IM6001-125	5	10 thru 40	450
IM6001-150	6	10 thru 40	450
IM6001-200	8	10 thru 40	450

[Last Updated](#) on 2016-07-19

[Questions?](#)

[Print this page](#)

[Terms of Use](#)

[Page Top](#)

© 2016 UL LLC

The appearance of a company's name or product in this database does not in itself assure that products so identified have been manufactured under UL's Follow-Up Service. Only those products bearing the UL Mark should be considered to be Certified and covered under UL's Follow-Up Service. Always look for the Mark on the product.

UL permits the reproduction of the material contained in the Online Certification Directory subject to the following conditions: 1. The Guide Information, Assemblies, Constructions, Designs, Systems, and/or Certifications (files) must be presented in their entirety and in a non-misleading manner, without any manipulation of the data (or drawings). 2. The statement "Reprinted from the Online Certifications Directory with permission from UL" must appear adjacent to the extracted material. In addition, the reprinted material must include a copyright notice in the following format: "© 2016 UL LLC".